

## ST BARTS VANITY & MIRROR

Vanity 1019661004 Mirror 1021661004

Black Marble 1019661005 Brown Marble 1019661006 White Marble 1019661007

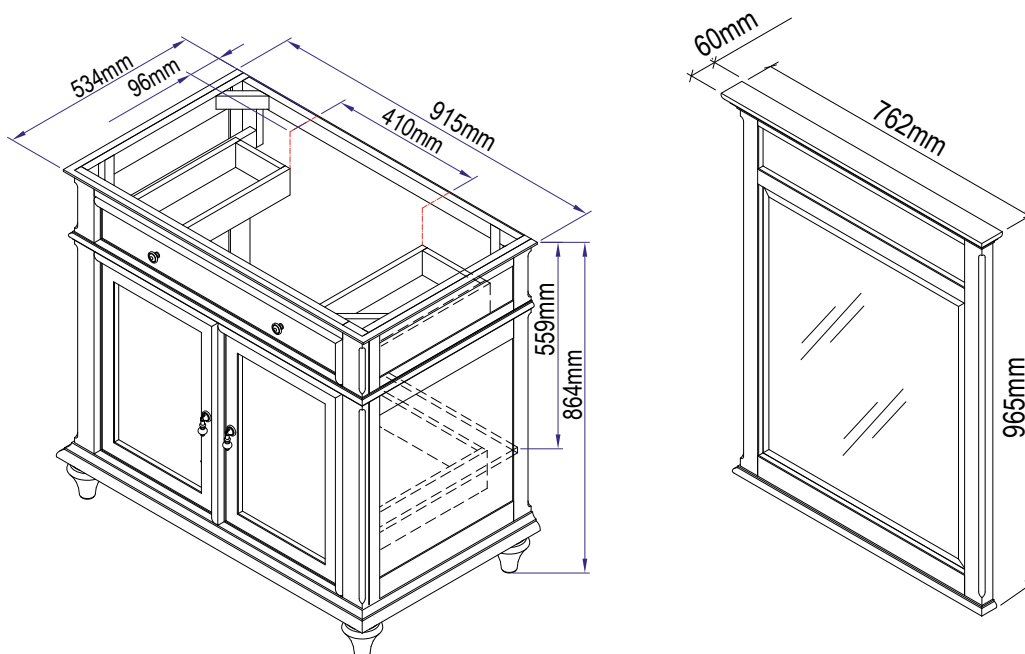
**Features:** Crafted from Hardwood Solids & Veneers  
Antique Brass Hardware & Marble Top & Splashback with Inbuilt Basin  
Tapware, 32 x 80mm O/F Plug & Waste Sold Separately

**Dimensions:** Vanity (without Marble) H 864 mm x W 915 mm x D 534 mm  
Mirror H 965 mm x W 762 mm x D 60 mm

**Colours:** Rich Dark Brown Finish with Black, Brown or White Marble

**Care Instructions:** Clean timber with a damp cloth and dry  
Marble top can be cleaned with a mild detergent and dry  
(avoid using harsh, abrasive and caustic based products)

**Installation:** It is recommended that non-acetic silicone is used between the vanity/wall  
Protect the top using a suitable granite/marble sealant



**Please Note:** Illustrations, photographs and specifications are not binding in detail. Items may vary in size - check all measurements on site before installation. Plumbing and electrical products must only be installed by a registered contractor.