

Plumbing Installation Instructions

Installation instructions for Oxford Bath Diverter Telephone Set Assembly

Before you can install your **Humfrey & Schutz™ Oxford series Cast Bath Diverter Set**, you must ensure that the inlet fixings are correctly installed at 6" (152.2mm) centres (refer to template in Diagram A). Most free standing baths are installed with a gap of 50mm to 75mm between the wall and the rim. (Queensland regulations require 100mm). Our diverter is designed for installations with gaps between 50mm and 75mm. Free standing baths are constructed to a height between 580mm to 600mm and a cleaning space of 50mm between the lip of the bath and the spout should be allowed for. The vertical distance between the inlet centres and the bottom part of the spout in closet proximity to the bath is 70mm and would be between 700mm to 720mm for standard clawfoot baths. (See Diagram C). Ideally the water should fall onto the sides and not the base of the bath.

1. Install the bath and the 1/2" BSP nipples (#1) trimmed to 19mm as per Diagrams B and C, flush both the hot and cold lines to make sure that there are no sediments or construction related impurities remaining.
2. Remove all components from the carton and place on a protected or soft surface. It is recommended that you also place a padded protective cloth on the inside of the bath during installation.

Next thing is to....

3. Without using TPE tape screw the Wall Flanges (#2) onto the 1/2" nipples (#1) flush and firm to the finished wall level.
4. Tape the nipple then dismantle the wall reducers (#3) from the assembly making sure not to lose the rubber washers (#5) then screw the reducers on to the nipples to a firm fit and proper seal.
5. Take the body assembly (#6), (#7) and (#8) and after making sure that the rubber washer (#5) is in place screw the plug nuts onto the wall reducers. The entire assembly should now be rigid.

And then...

6. Attach the hose to the shower handle with the knurled and tapered connector making sure the rubber washer is in place.

7. Connect the other hexagonal nut at end of the hose to the cradle also making sure the rubber washer is in place.

8. Mount the Hand Shower in the cradle and.....

Your Bath Diverter is now ready for use!

Ceramic Disc and Lever Handle options are available from Recollections outlets.

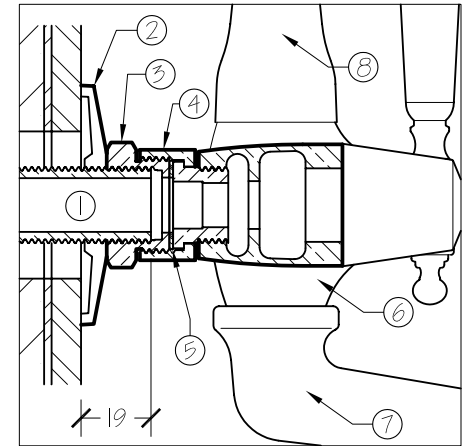


Diagram B

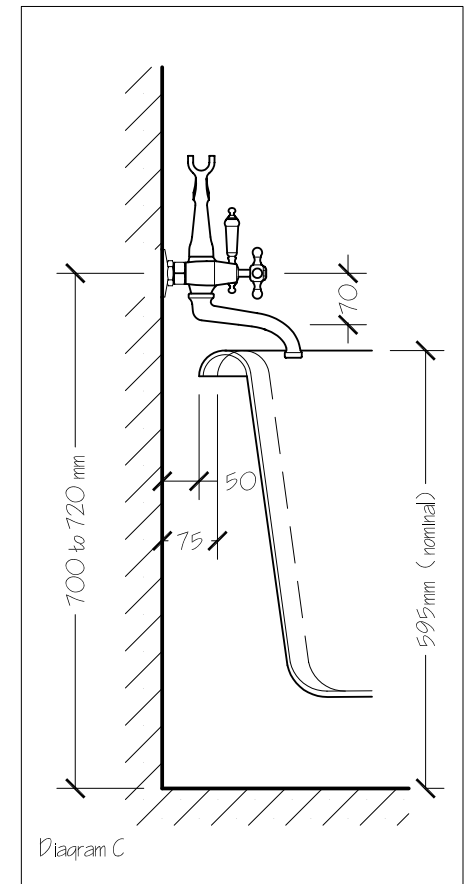
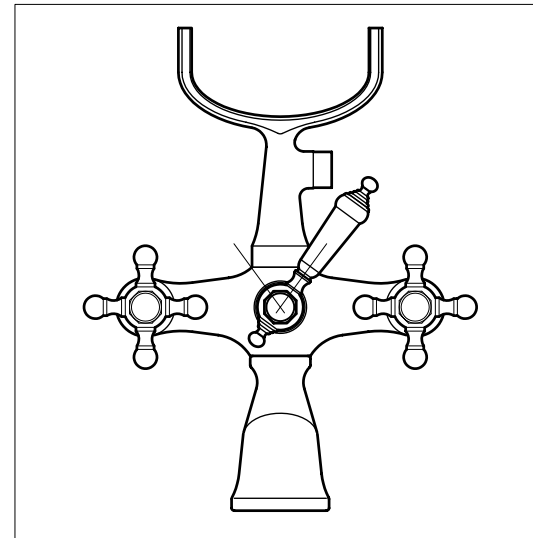


Diagram C

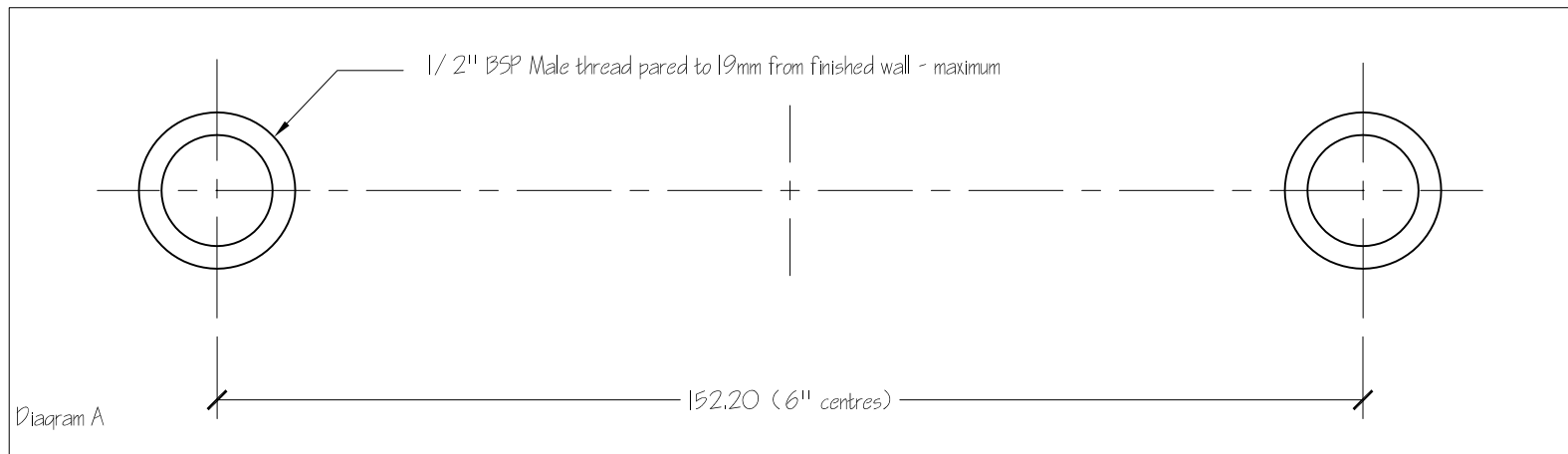


Diagram A

Please Note: Illustrations, photographs and specifications are not binding in detail. Items may vary in size - check all measurements on site before installation. Plumbing and electrical products must only be installed by a registered contractor.